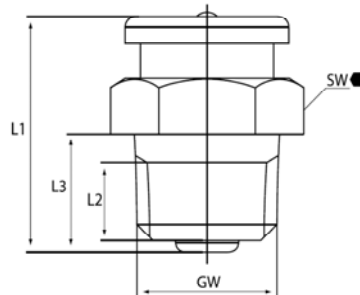


Button-Head Grease Nipples



Button-Head grease Fittings Type SM1

- head Ø 15.5 mm (5/8")
- according to SAE J-534
- straight version A / 180°
- salt spray resistance > 72 hours
- standard versions according to SAE are made of steel, case-hardened, zinc-plated and passivated
- for further types and materials, please see table, or upon request



SW = Wrench Size
 L1 = Total Length
 L2 = Thread length
 L3 = Shank Length
 GW = Thread
 All measures in mm

Ref.- No.:	GW 1/8" PTF			
	L1	L2	L3	SW
PLBHSM10101	3/4"	3/16"	11/32"	5/8" HEX

Ref.- No.:	GW 1/4" NPTF			
	L1	L2	L3	SW
PLBHSM10201	53/64"	17/64"	27/64"	5/8" HEX
PLBHSM10202	53/64"	17/64"	27/64"	5/8" HEX

Button-Head Grease Nipples

Button-Head grease Fittings Type SM1 according to ISO 2768-m

- head Ø 15.5 mm (5/8")
- according to ISO 2768 - m
- straight version A / 180°
- salt spray resistance > 72 hours
- standard versions according to SAE are made of steel, case-hardened, zinc-plated and passivated
- for further types and materials, please see table, or upon request

Ref.- No.:	GW 1/8" PTF			
	L1	L2	L3	SW
PLBHSM10301	18 mm	4.8 mm	7.5 mm	17 mm HEX

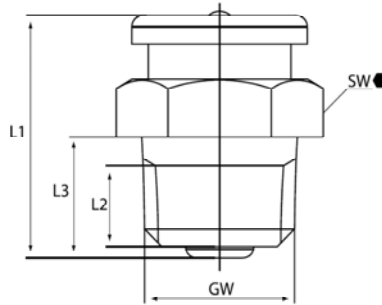
Ref.- No.:	GW 1/4" NPTF			
	L1	L2	L3	SW
PLBHSM10401	21 mm	6.75 mm	10.7 mm	17 mm HEX

Ref.- No.:	GW 3/8" NPTF			
	L1	L2	L3	SW
PLBHSM10501	23.5 mm	13 mm	13 mm	19 mm HEX

Button-Head Grease Nipples

Button-Head grease Fittings Type SM22

- head Ø 21.9 mm (7/8")
- according to SAE J-534
- straight version A / 180°
- salt spray resistance > 72 hours
- standard versions according to SAE are made of steel, case-hardened, zinc-plated and passivated
- for further types and materials, please see table, or upon request



SW = Wrench Size
 L1 = Total Length
 L2 = Thread length
 L3 = Shank Length
 GW = Thread
 All measures in mm

Ref.- No.:	GW 1/2" NPTF			
	L1	L2	L3	SW
PLBHSM220101	1-1/6"	25/64"	1/2"	7/8" HEX