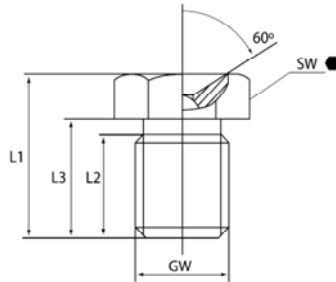


Flush-Type Grease Nipples SAE



Flush-Type Grease Nipples Type SD1N

- straight version A / 180°
- salt spray resistance > 72 hours
- standard versions according to SAE are made of steel, case-hardened, zinc-plated and passivated
- for further types and materials, please see table, or upon request



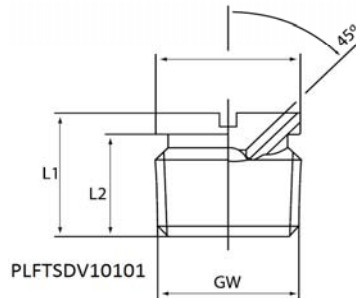
SW = Wrench Size
 L1 = Total Length
 L2 = Thread length
 L3 = Shank Length
 GW = Thread
 All measures in mm

Ref.- No.:	GW 1/4" - 28 NF			
	L1	L2	L3	SW
PLFTSD1N0101	13/32"	3/16"	19/64"	5/16" HEX

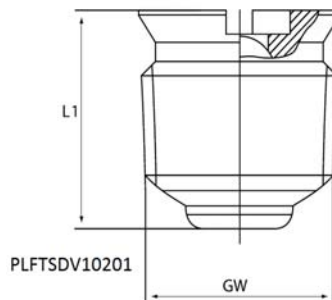
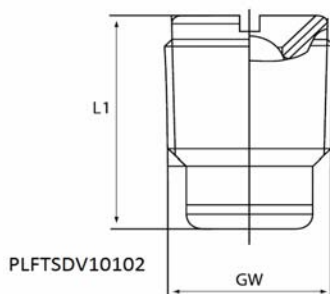
Flush-Type Grease Nipples SAE

Flush-Type Grease Nipples Type SDV1

- without collar, with slot for screwdriver
- straight version A / 180°
- for even mounting without projection
- salt spray resistance > 72 hours
- made of steel, zinc-plated and passivated
- for further types and materials, please see table, or upon request



L1 = Total Length
 L2 = Thread length
 GW = Thread
 All measures in mm



Ref.- No.:	GW 1/8" NPTF			
	L1	L2		
PLFTSDV10101	23/64"	19/64"		
PLFTSDV10102	17/32"			

Ref.- No.:	GW 1/4" NPTF			
	L1	L2		
PLFTSDV10201	9/16"			